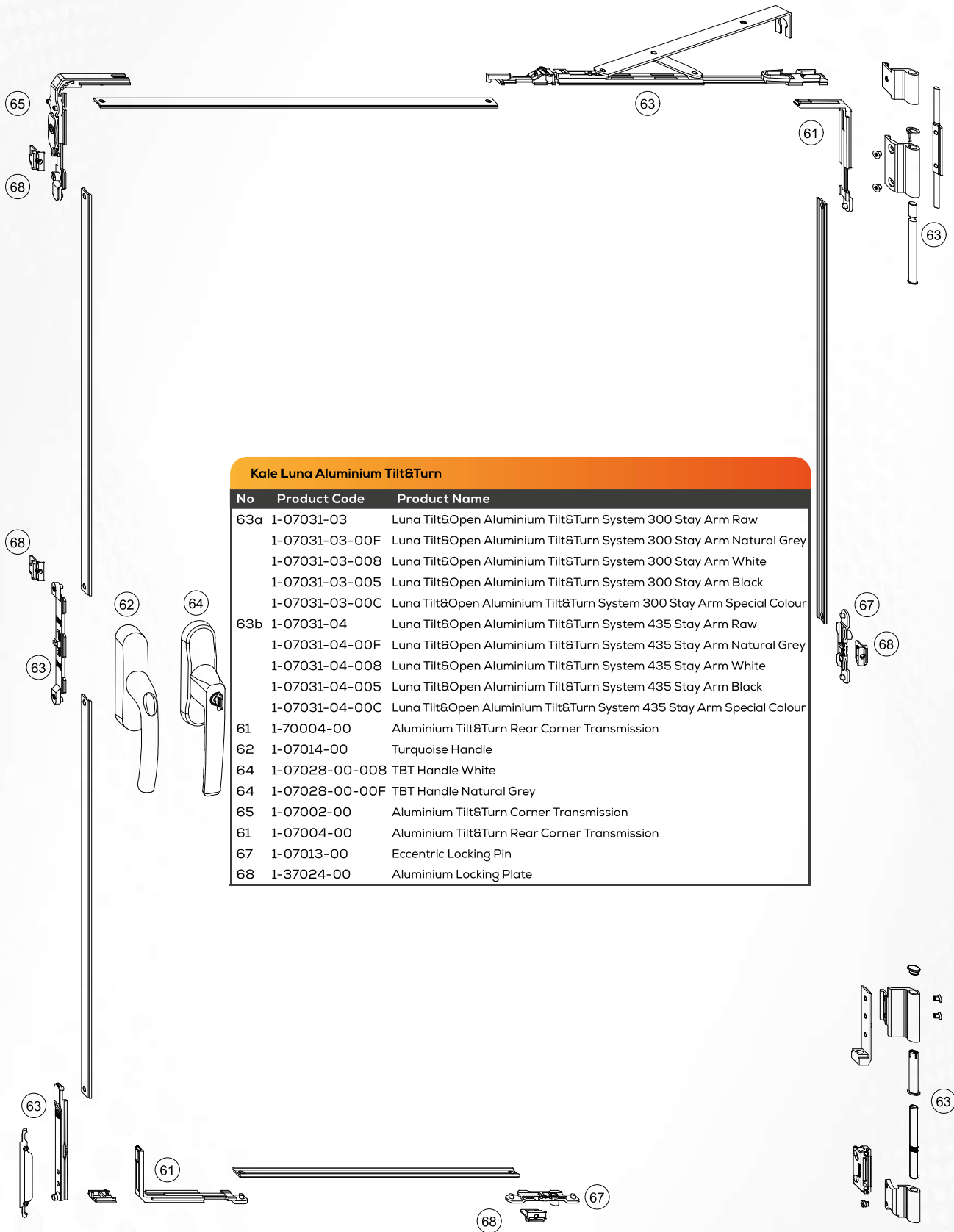


# TILT&TURN SYSTEMS – KALE LUNA

## Tilt&Turn System



Kale Luna Aluminium Tilt&Turn		
No	Product Code	Product Name
	1-07030-03	Luna Aluminium Tilt&Turn System 300 Stay Arm Raw
	1-07030-03-008	Luna Aluminium Tilt&Turn System 300 Stay Arm White
60a	1-07030-03-00F	Luna Aluminium Tilt&Turn System 300 Stay Arm Natural Grey
	1-07030-03-005	Luna Aluminium Tilt&Turn System 300 Stay Arm Black
	1-07030-03-00C	Luna Aluminium Tilt&Turn System 300 Stay Arm Special Colour
	1-07030-04	Luna Aluminium Tilt&Turn System 435 Stay Arm Raw
	1-07030-04-008	Luna Aluminium Tilt&Turn System 435 Stay Arm White
60b	1-07030-04-00F	Luna Aluminium Tilt&Turn System 435 Stay Arm Natural Grey
	1-07030-04-005	Luna Aluminium Tilt&Turn System 435 Stay Arm Black
	1-07030-04-00C	Luna Aluminium Tilt&Turn System 435 Stay Arm Special Colour
61	1-70004-00	Aluminium Tilt&Turn Rear Corner Transmission
62	1-07014-00	Turquoise Handle
65	1-07002-00	Aluminium Tilt&Turn Corner Transmission
61	1-07004-00	Aluminium Tilt&Turn Rear Corner Transmission
67	1-07013-00	Eccentric Locking Pin
68	1-37024-00	Aluminium Locking Plate

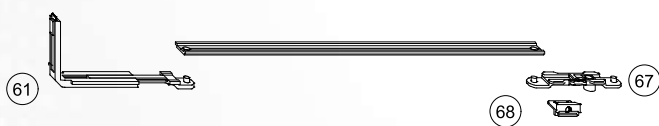
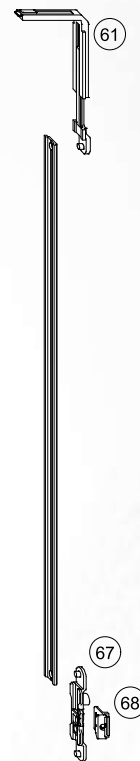


### Kale Luna Aluminium Tilt&Turn

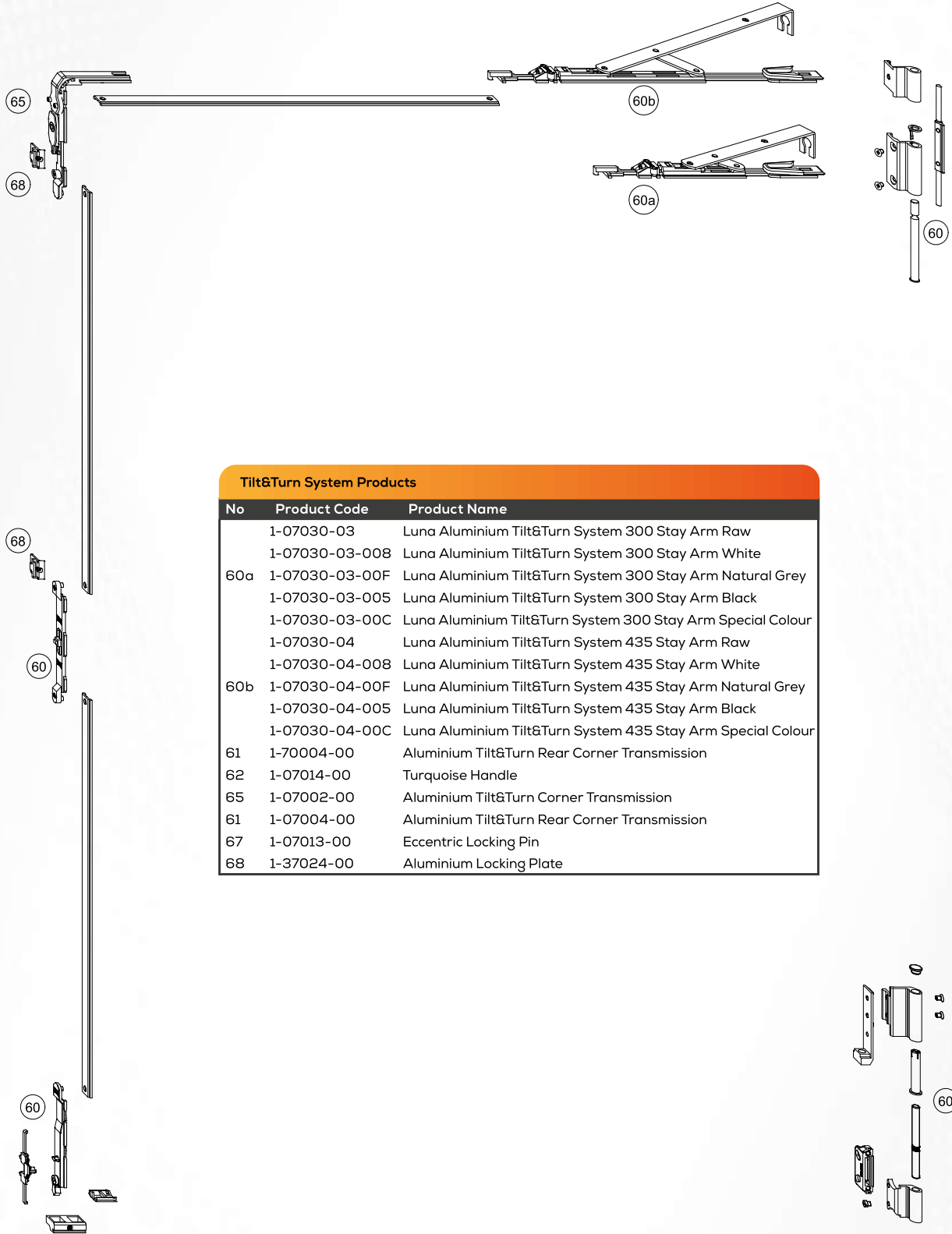
No	Product Code	Product Name
63a	1-07031-03	Luna Tilt&Open Aluminium Tilt&Turn System 300 Stay Arm Raw
	1-07031-03-00F	Luna Tilt&Open Aluminium Tilt&Turn System 300 Stay Arm Natural Grey
	1-07031-03-008	Luna Tilt&Open Aluminium Tilt&Turn System 300 Stay Arm White
	1-07031-03-005	Luna Tilt&Open Aluminium Tilt&Turn System 300 Stay Arm Black
	1-07031-03-00C	Luna Tilt&Open Aluminium Tilt&Turn System 300 Stay Arm Special Colour
63b	1-07031-04	Luna Tilt&Open Aluminium Tilt&Turn System 435 Stay Arm Raw
	1-07031-04-00F	Luna Tilt&Open Aluminium Tilt&Turn System 435 Stay Arm Natural Grey
	1-07031-04-008	Luna Tilt&Open Aluminium Tilt&Turn System 435 Stay Arm White
	1-07031-04-005	Luna Tilt&Open Aluminium Tilt&Turn System 435 Stay Arm Black
	1-07031-04-00C	Luna Tilt&Open Aluminium Tilt&Turn System 435 Stay Arm Special Colour
61	1-70004-00	Aluminium Tilt&Turn Rear Corner Transmission
62	1-07014-00	Turquoise Handle
64	1-07028-00-008	TBT Handle White
64	1-07028-00-00F	TBT Handle Natural Grey
65	1-07002-00	Aluminium Tilt&Turn Corner Transmission
61	1-07004-00	Aluminium Tilt&Turn Rear Corner Transmission
67	1-07013-00	Eccentric Locking Pin
68	1-37024-00	Aluminium Locking Plate

## Tilt&Turn System Additional Locking Group

Kale Luna Aluminium Additional Locking Group		
No	Product Code	Product Name
61	1-07004-00	Aluminium Tilt&Turn Rear Corner Transmission
67	1-07013-00	Eccentric Locking Pin
68	1-37024-00	Aluminium Locking Plate



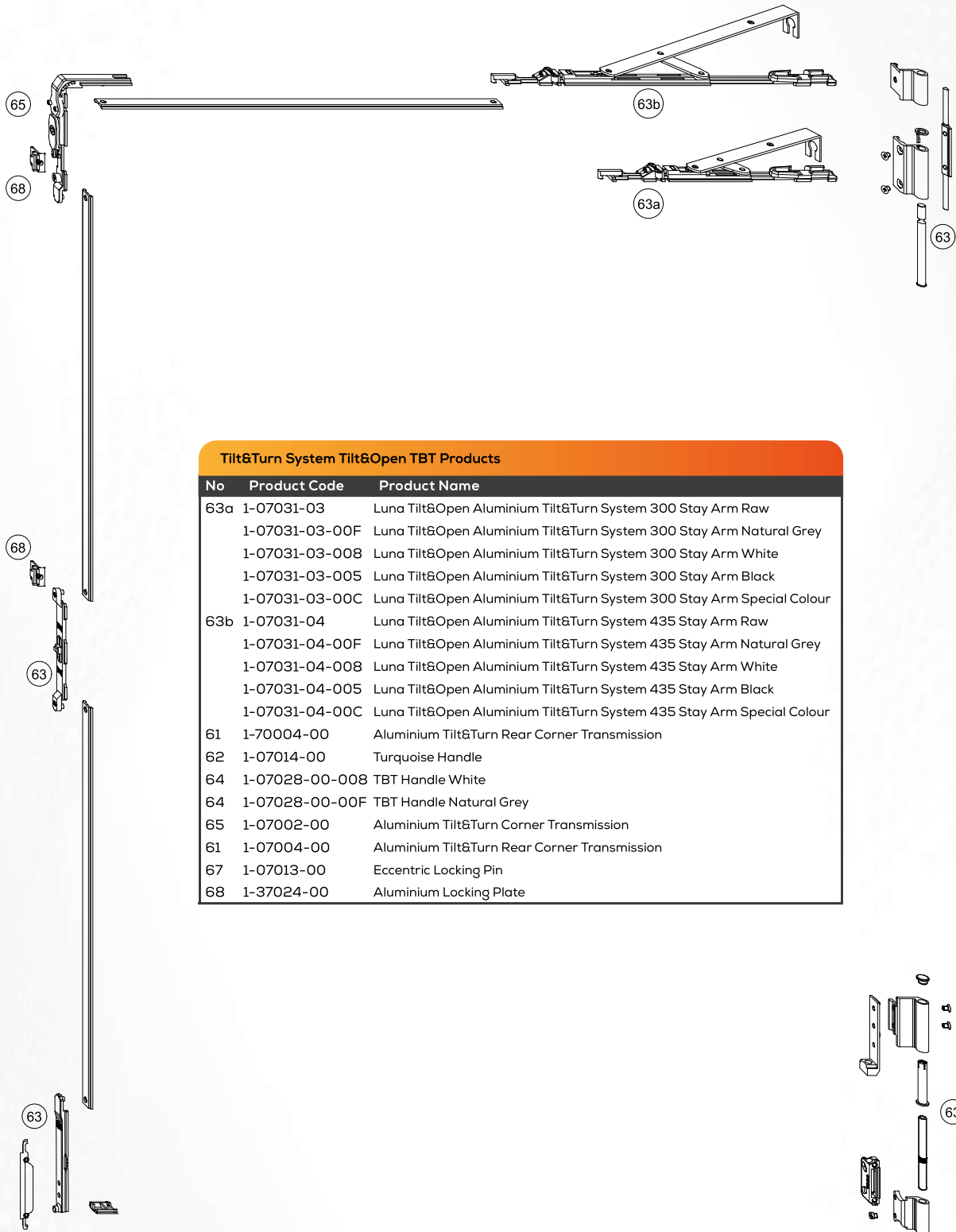
## Tilt&Turn System Products



### Tilt&Turn System Products

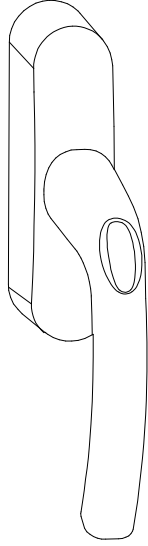
No	Product Code	Product Name
	1-07030-03	Luna Aluminium Tilt&Turn System 300 Stay Arm Raw
	1-07030-03-008	Luna Aluminium Tilt&Turn System 300 Stay Arm White
60a	1-07030-03-00F	Luna Aluminium Tilt&Turn System 300 Stay Arm Natural Grey
	1-07030-03-005	Luna Aluminium Tilt&Turn System 300 Stay Arm Black
	1-07030-03-00C	Luna Aluminium Tilt&Turn System 300 Stay Arm Special Colour
	1-07030-04	Luna Aluminium Tilt&Turn System 435 Stay Arm Raw
	1-07030-04-008	Luna Aluminium Tilt&Turn System 435 Stay Arm White
60b	1-07030-04-00F	Luna Aluminium Tilt&Turn System 435 Stay Arm Natural Grey
	1-07030-04-005	Luna Aluminium Tilt&Turn System 435 Stay Arm Black
	1-07030-04-00C	Luna Aluminium Tilt&Turn System 435 Stay Arm Special Colour
61	1-70004-00	Aluminium Tilt&Turn Rear Corner Transmission
62	1-07014-00	Turquoise Handle
65	1-07002-00	Aluminium Tilt&Turn Corner Transmission
61	1-07004-00	Aluminium Tilt&Turn Rear Corner Transmission
67	1-07013-00	Eccentric Locking Pin
68	1-37024-00	Aluminium Locking Plate

# Tilt&Turn System TBT Products



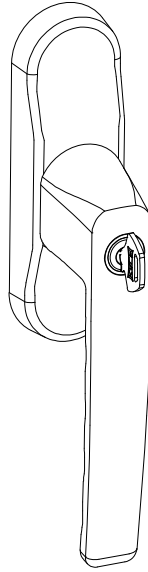
Tilt&Turn System Tilt&Open TBT Products		
No	Product Code	Product Name
63a	1-07031-03	Luna Tilt&Open Aluminium Tilt&Turn System 300 Stay Arm Raw
	1-07031-03-00F	Luna Tilt&Open Aluminium Tilt&Turn System 300 Stay Arm Natural Grey
	1-07031-03-008	Luna Tilt&Open Aluminium Tilt&Turn System 300 Stay Arm White
	1-07031-03-005	Luna Tilt&Open Aluminium Tilt&Turn System 300 Stay Arm Black
	1-07031-03-00C	Luna Tilt&Open Aluminium Tilt&Turn System 300 Stay Arm Special Colour
63b	1-07031-04	Luna Tilt&Open Aluminium Tilt&Turn System 435 Stay Arm Raw
	1-07031-04-00F	Luna Tilt&Open Aluminium Tilt&Turn System 435 Stay Arm Natural Grey
	1-07031-04-008	Luna Tilt&Open Aluminium Tilt&Turn System 435 Stay Arm White
	1-07031-04-005	Luna Tilt&Open Aluminium Tilt&Turn System 435 Stay Arm Black
	1-07031-04-00C	Luna Tilt&Open Aluminium Tilt&Turn System 435 Stay Arm Special Colour
61	1-70004-00	Aluminium Tilt&Turn Rear Corner Transmission
62	1-07014-00	Turquoise Handle
64	1-07028-00-008	TBT Handle White
64	1-07028-00-00F	TBT Handle Natural Grey
65	1-07002-00	Aluminium Tilt&Turn Corner Transmission
61	1-07004-00	Aluminium Tilt&Turn Rear Corner Transmission
67	1-07013-00	Eccentric Locking Pin
68	1-37024-00	Aluminium Locking Plate

62



TURQUOISE

64

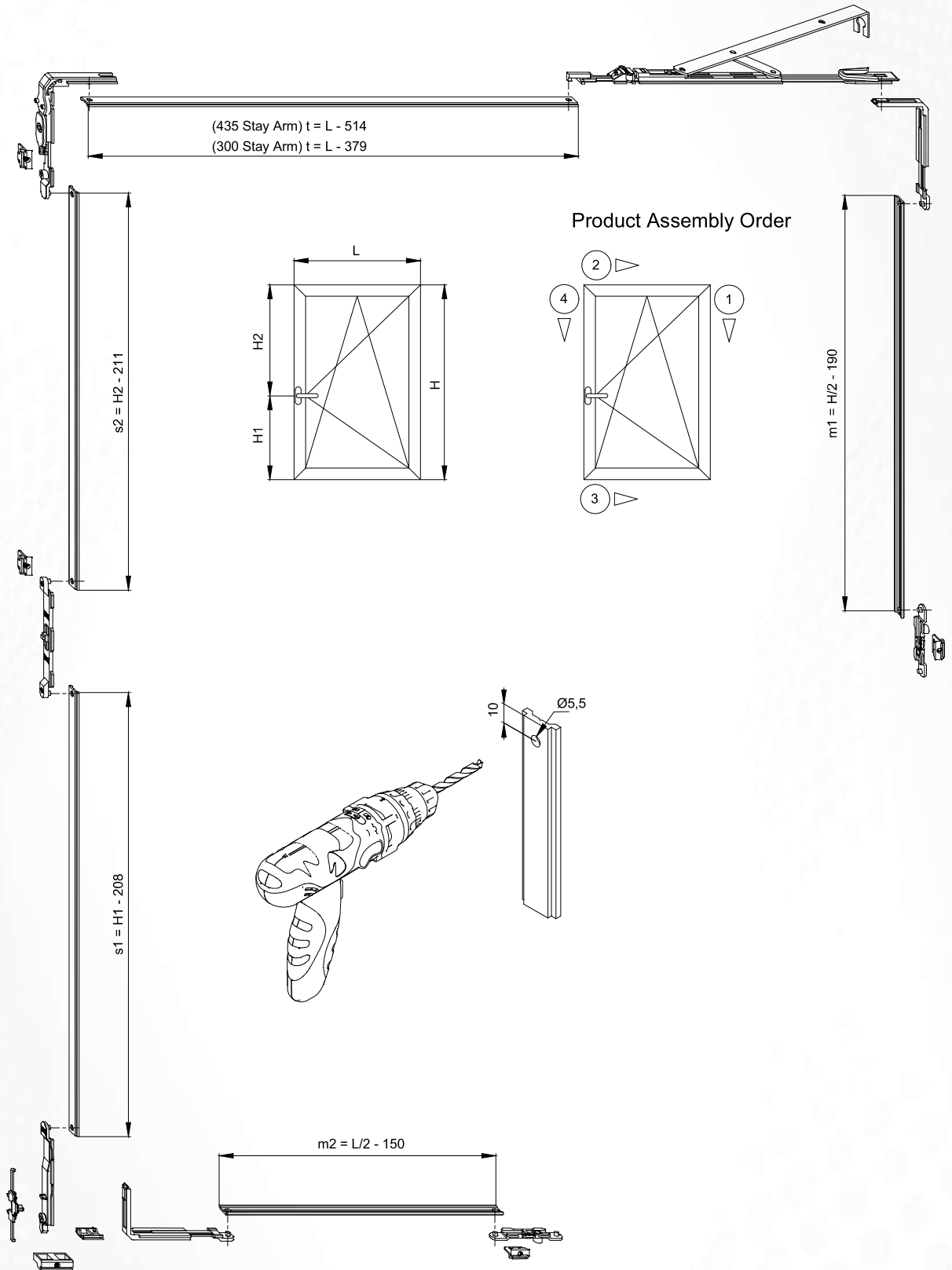


TBT

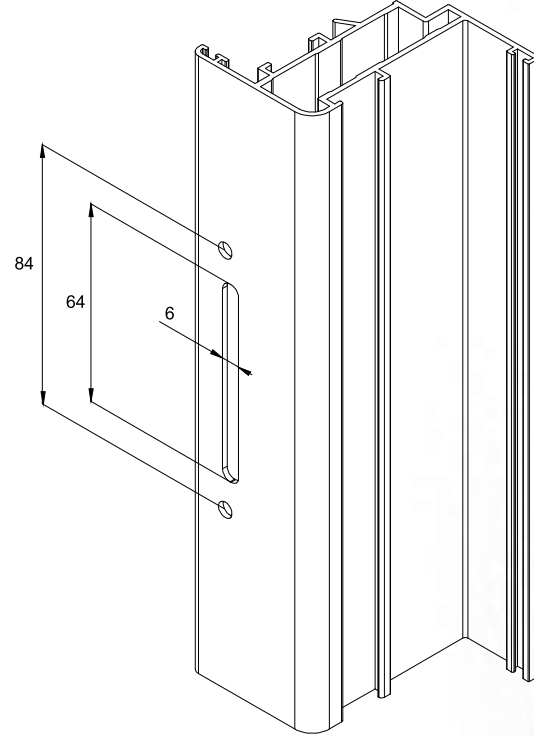
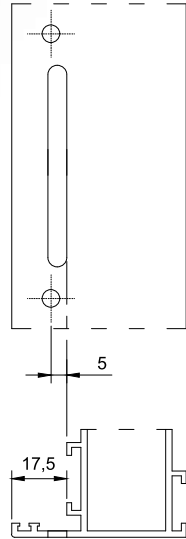
### Tilt&Turn System Aluminium Handles

No	Product Code	Product Name
62	1-07014-00	Turquoise Handle Raw
62	1-07014-00-001	Turquoise Handle Plating
62	1-07014-00-005	Turquoise Handle Black
62	1-07014-00-008	Turquoise Handle White
62	1-07014-00-00C	Turquoise Handle Special Colour
62	1-07014-00-00F	Turquoise Handle Natural Grey
62	1-07014-50	Turquoise Handle Long Fork Raw
62	1-07014-50-008	Turquoise Handle Long Fork White
62	1-07014-50-00F	Turquoise Handle Long Fork Natural Grey
64	1-07028-00-008	Tbt Handle White
64	1-07028-00-00F	Tbt Handle Natural Grey

# Tilt&Turn System Sash Assembly



## Tilt&Turn System Handle Slot Preparation



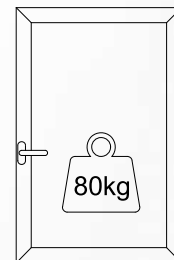
### KALE LUNA ALUMINIUM T&T (Technical Specs)

	300 Stay Arm		435 Stay Arm	
Sash Width	Minimum	390 mm	Minimum	522 mm
	Maximum	522 mm	Maximum	1700 mm
Sash Height	Minimum	600 mm	Minimum	600 mm
	Maximum	2400 mm	Maximum	2400 mm
Sash weight - maximum 80 kg				

Application for Parts to  
be Painted

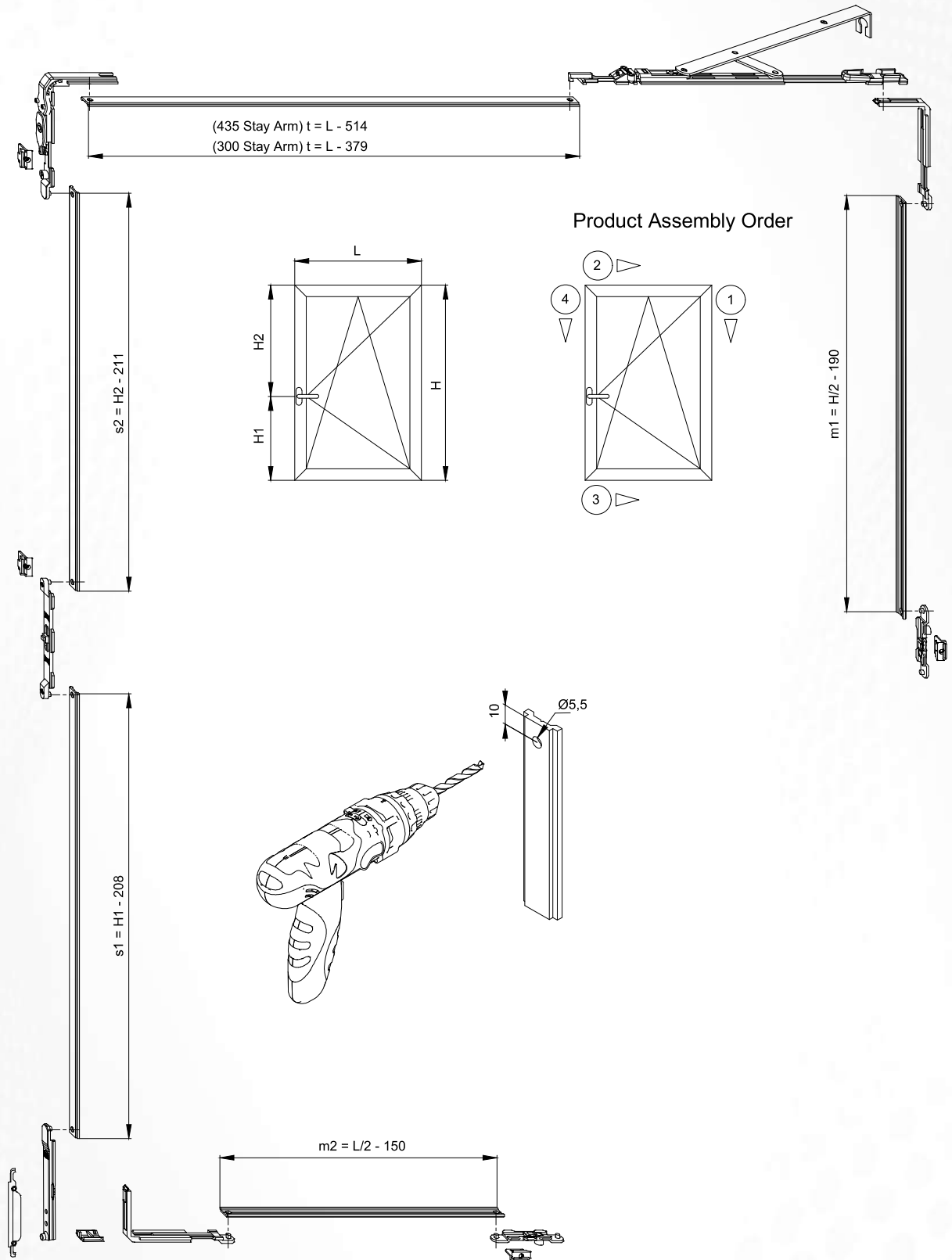


- The paint thickness must be 40~60 µm.
- Screw threads and pin holes must be protected against paint.
- The process for the painting of the window handle must not exceed 200°C and 15 minutes.





# Tilt&Turn System TBT Sash Assembly

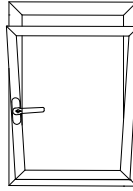


# Tilt&Turn System TBT Handle Usage

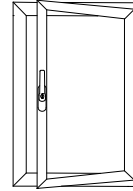
Locked position



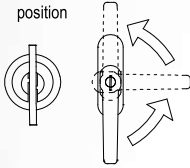
Ventilated position



Unlocked position

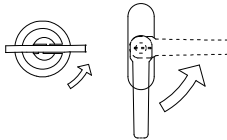


Unlocked position



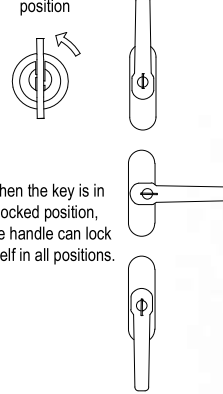
When the key is in an unlocked position, the handle can move in unlocked, ventilated and locked positions.

Partially locked position

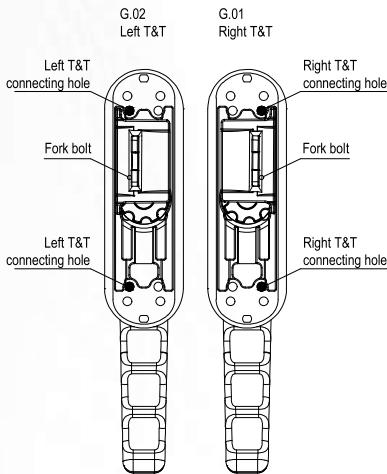


When the key is partially locked, the handle can move in locked and ventilated positions.

Locked position



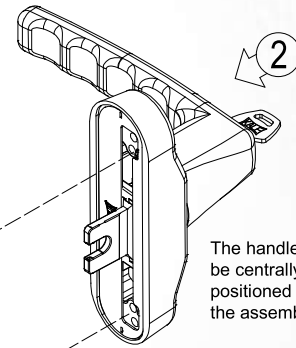
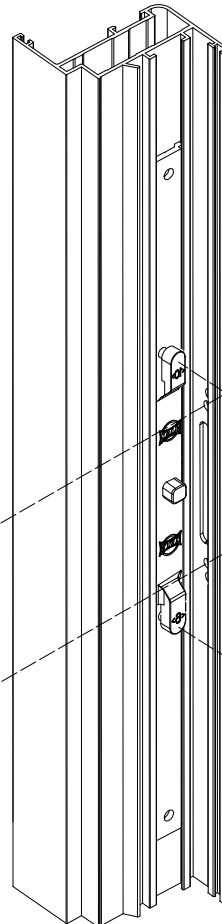
When the key is in a locked position, the handle can lock itself in all positions.



- Remove the plastic protective cover.
- As you can see in G.01, place the fork bolt onto the top area of the right canal (Right T&T).
- If it is Left T&T, follow the same instructions as per G.02.
- Place the plastic protective cover.
- Assemble it onto the window through connecting holes according to whether it is on Right or Left.

3

The handle is fixed onto the joinery by using an SW 4 allen wrench.

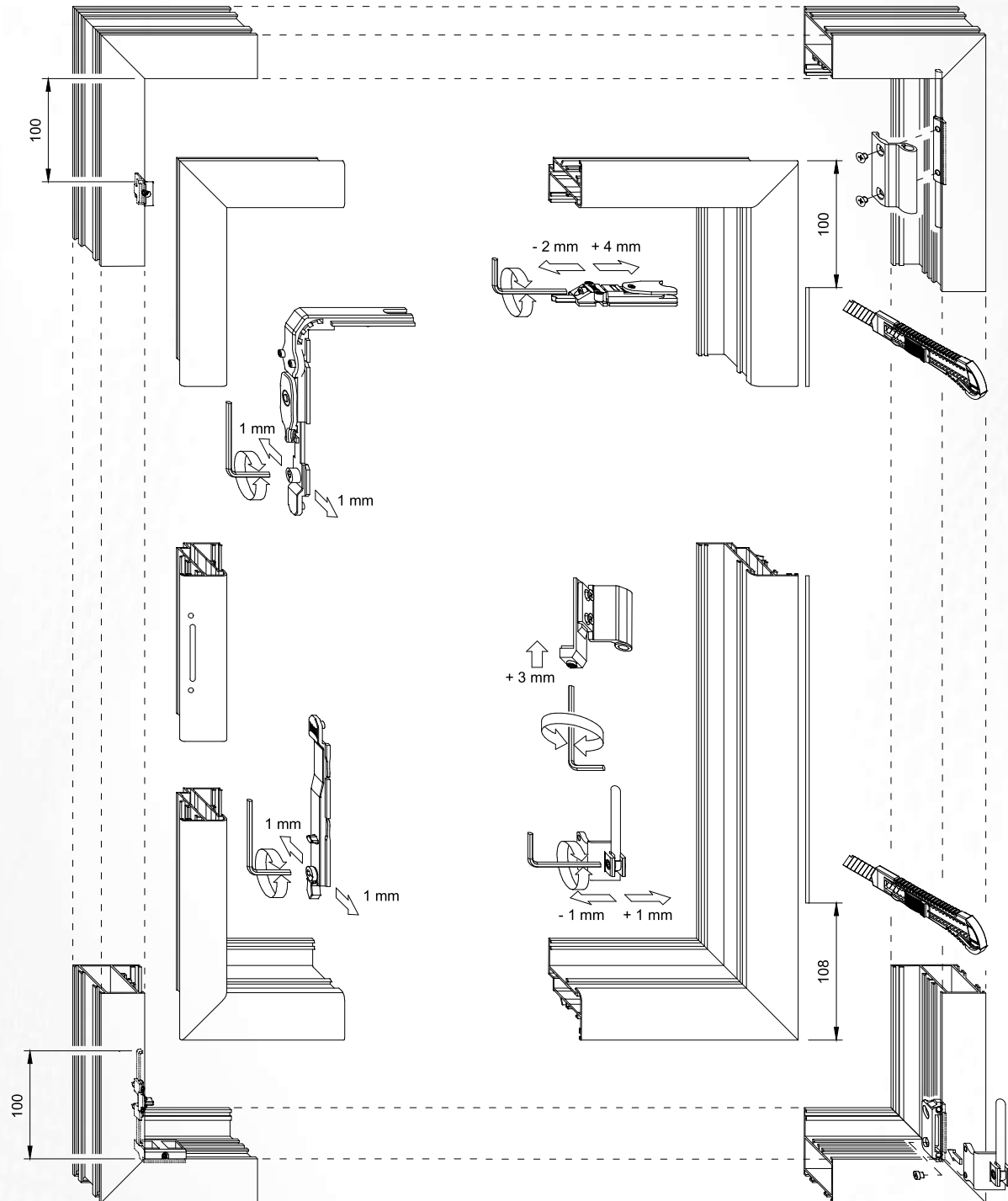


The handle must be centrally positioned during the assembly.

1

The handle must be assembled after completion of the assembly of the system.

# Tilt&Turn System Application and Adjustment



# Tilt&Turn System TBT Application and Adjustment

